

J14B series rectangle connector



The J14B series, updated from J14A series, increased density of contacts, a rain-proof capability, crimp contacts with the cables that are customizable at length.

Part number

	J14B	-26	T	K
Basic series				
Number of contact				
26, 34				
Type of plug and receptacle				
T = Plug				
Z = Receptacle				
Type of contact				
J = Pin				
K = Socket				

Performance specification

Temperature rating: -55 °C ~ +125 °C

Relative humidity: at 40 °C ± 2 °C, 90% ~ 95%

Vibration: at 10 Hz~2000 Hz, acceleration 196 m/s²

Shock: 980 m/s²

Atmospheric pressure: 101.3 KPa ~ 4.39 KPa

Acceleration: 780 m/s²

Electrical performance

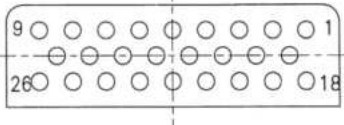
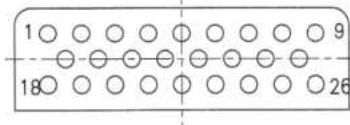
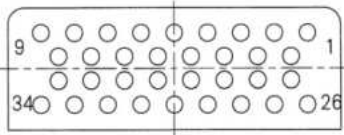
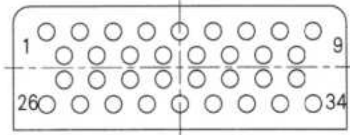
Rated current: 2 A

Contact resistance: ≤ 15 MΩ

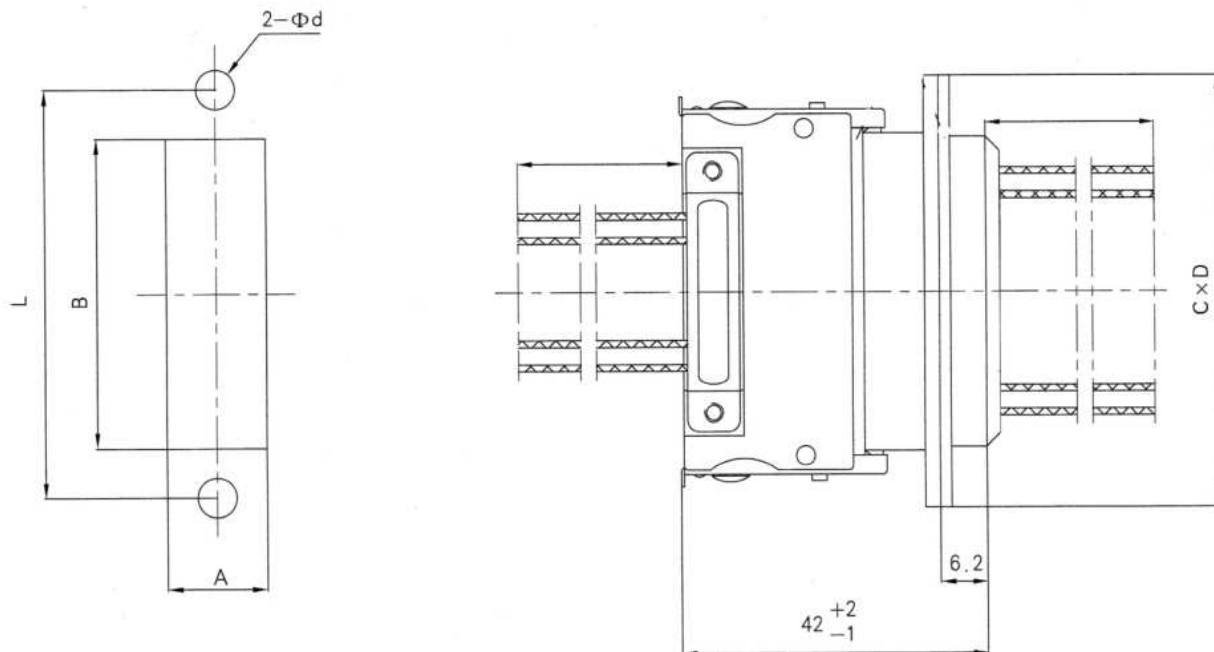
Withstanding voltage: ≤ 800 V

Endurance: ≥ 500 cycles

Contact layout

Contact number	Male pin	Female pin
26		
34		

Shell size



Part number	L	A±0.05	B0.05	C	D	d
J14B-26T/Z J14B-26TK/ZJ	28	6.6	21.2	12	34	3.0
J14B-34T/Z J14B-34TK/ZJ	34	10.0	25.0	16	41	3.5