

J29 series rectangle electrical connector



The J29A series of connectors are provided with 8 optional contacts number 9, 15, 21, 25, 31, 37, 51 and 66. twist pin contacts; the horizontal spacing is 1.91mm and row spacing is 1.65mm; widely used for circuit connections in the field of aerospace, aviation, computers and other electronic equipment..

Part number

Basic series

Contact number

9, 15, 21, 25, 31, 37, 51, 66

Style

ZK = Receptacle with socket

TJ = Plug with pin

Type of termination

Omit = Crimp

H = Solder

N = Straight PCB

W = 90° elbow PCB (1.91×2.54)

WI = 90° elbow PCB (3.82×2.54)

Locking components

L = Unfixed (L, L₁, L₂, L₃, L₄)

P = Fixed (P, P₁, P₂, P₃,P₁₆)

Type of shell

Omit = Normal

A = Width of flange is same as back shell

A₁ = Width of flange is between normal and A

Type of tail cover

	J29M	9	TJ	H	P ₅
Basic series					
Contact number		9, 15, 21, 25, 31, 37, 51, 66			
Style		ZK = Receptacle with socket TJ = Plug with pin			
Type of termination		Omit = Crimp H = Solder			
Locking components					

Performance specification

Temperature: -55 °C ~ +125 °C

Vibration: at 10Hz ~ 2000Hz, acceleration 200 m/s²

Shock: at 1200 m/s², 6ms

Rated current: 5 A

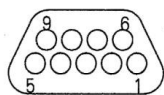
Contact resistance: ≤ 10 mΩ

Insulation resistance: ≥ 5000 MΩ

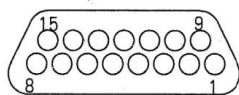
Dielectric strength: 1500V DC

Endurance: ≥ 500 cycles

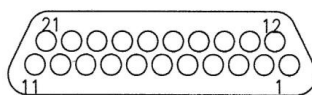
Contact layout



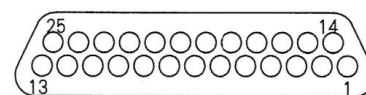
9



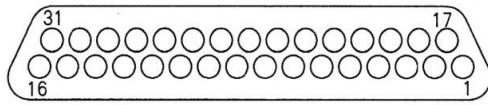
15



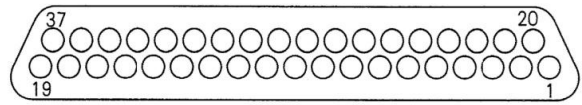
21



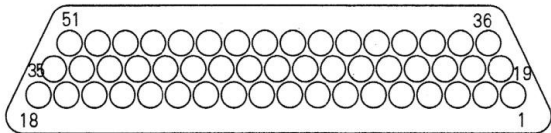
25



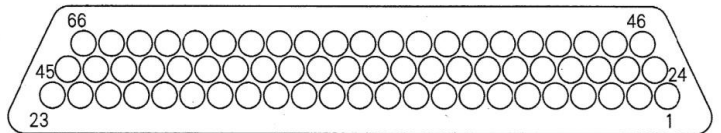
31



37



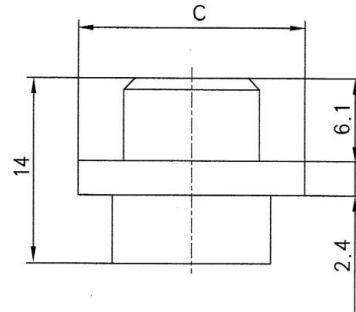
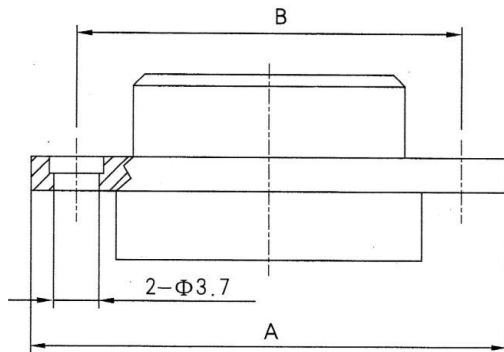
51



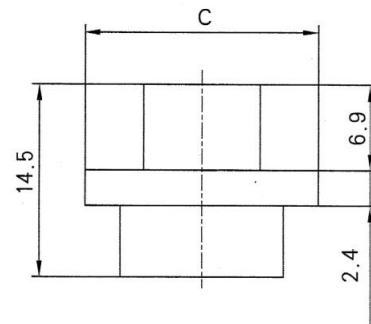
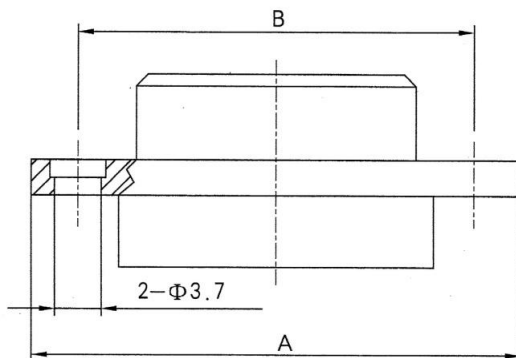
66

Shell size

Plug (crimp)

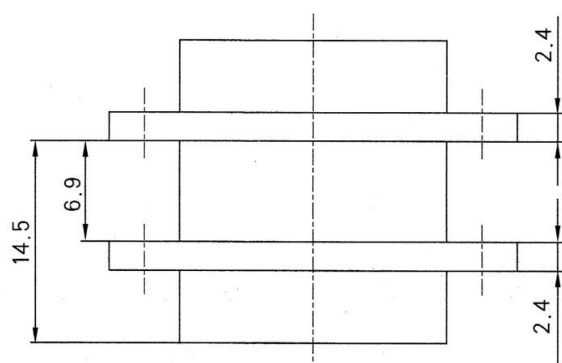


Receptacle

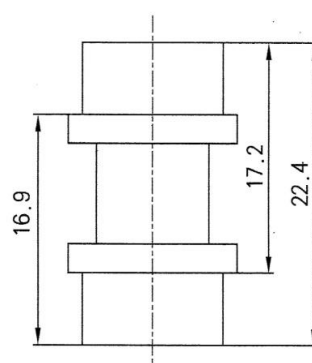


Part number	A	B	C	Part number	A	B	C
J29A-9TJ	26.1	20.1	13.0	J29A-9ZK	26.1	20.1	13.0
J29A-15TJ	31.6	25.6	13.0	J29A-15ZK	31.6	25.6	13.0
J29A-21TJ	37.3	31.3	13.0	J29A-21ZK	37.3	31.3	13.0
J29A-25TJ	42.0	36.0	13.0	J29A-25ZK	42.0	36.0	13.0
J29A-31TJ	47.8	41.8	13.0	J29A-31ZK	47.8	41.8	13.0
J29A-37TJ	53.5	47.5	13.0	J29A-37ZK	53.5	47.5	13.0
J29A-51TJ	52.0	46.0	14.6	J29A-51ZK	52.0	46.0	14.6
J29A-66TJ	61.5	55.5	14.6	J29A-66ZK	61.5	55.5	14.6

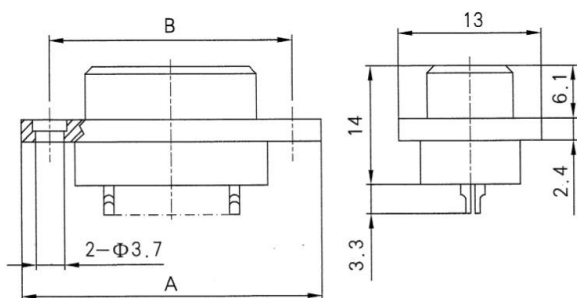
Size after mounting



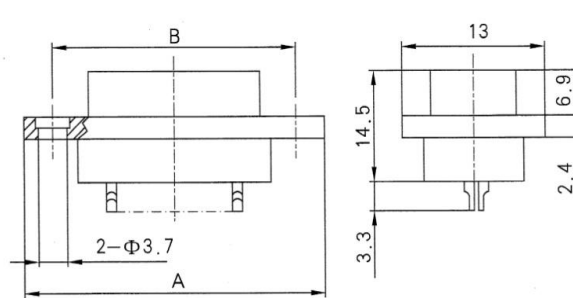
Plug (solder)



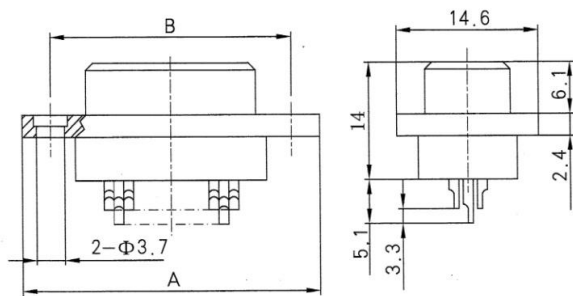
Receptacle



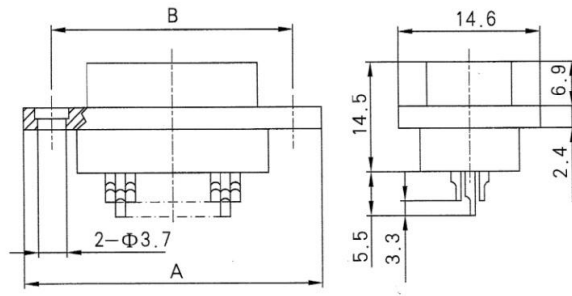
J29A-9, 15, 25, 37 TJH



J29A-9, 15, 25, 37 ZKH



J29A-51、66 TJH

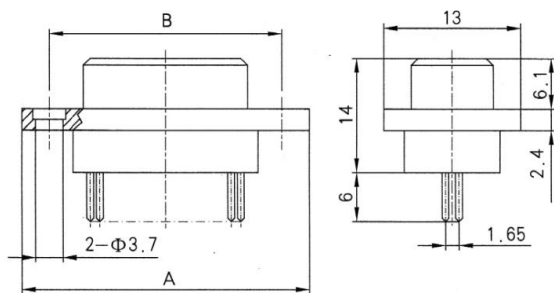


J29A-51、66 ZKH

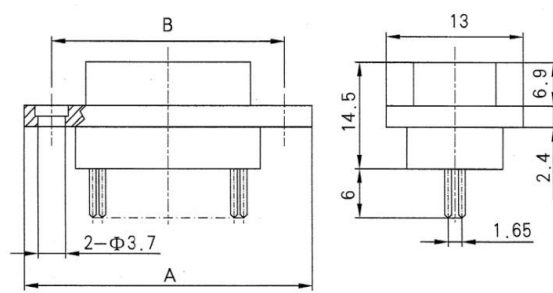
Part number	A	B	Part number	A	B
J29A-9TJH	26.1	20.1	J29A-9ZKH	26.1	20.1
J29A-15TJH	31.6	25.6	J29A-15ZKH	31.6	25.6
J29A-25TJH	42.0	36.0	J29A-25ZKH	42.0	36.0
J29A-37TJH	53.5	47.5	J29A-37ZKH	53.5	47.5
J29A-51TJH	52.0	46.0	J29A-51ZKH	52.0	46.0
J29A-66TJH	61.5	55.5	J29A-66ZKH	61.5	55.5

Plug (straight PCB 1.91×1.65)

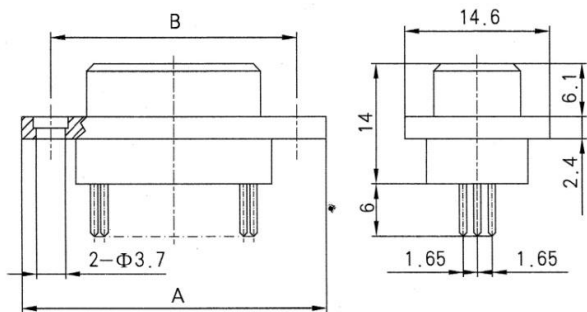
Receptacle



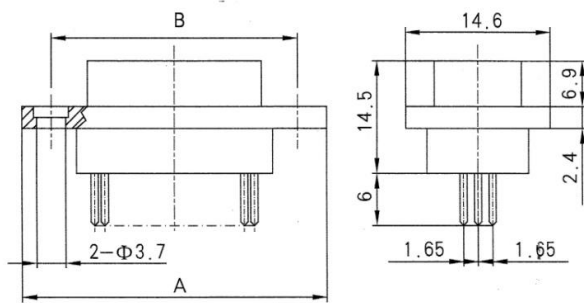
J29A-9、15、25、37TJN



J29A-9、15、25、37ZKN



J29A-51、66TJN

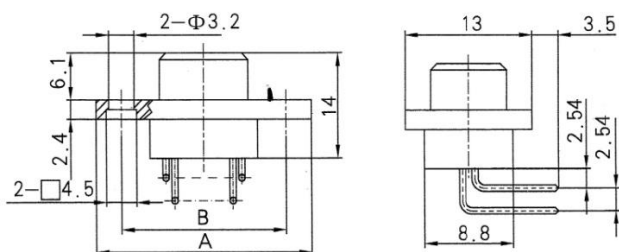


J29A-51、66ZKN

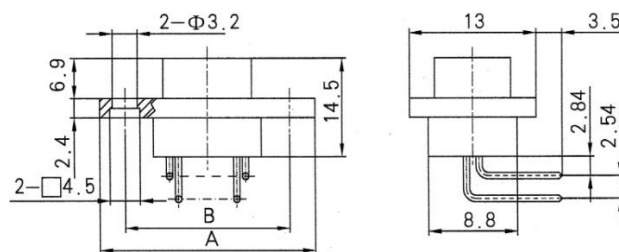
Part number	A	B	Part number	A	B
J29A-9TJN	26.1	20.1	J29A-9ZKN	26.1	20.1
J29A-15TJN	31.6	25.6	J29A-15ZKN	31.6	25.6
J29A-25TJN	42.0	36.0	J29A-25ZKN	42.0	36.0
J29A-37TJN	53.5	47.5	J29A-37ZKN	53.5	47.5
J29A-51TJN	52.0	46.0	J29A-51ZKN	52.0	46.0
J29A-66TJN	61.5	55.5	J29A-66ZKN	61.5	55.5

Plug (90° elbow PCB 1.91×2.54)

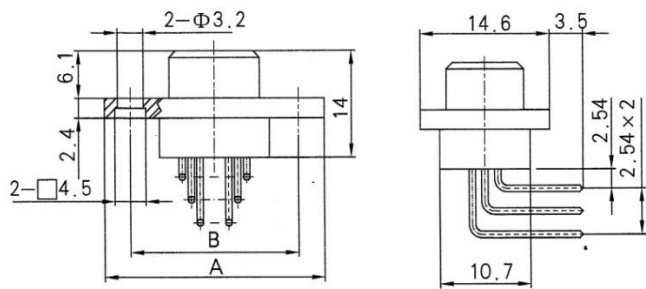
Receptacle



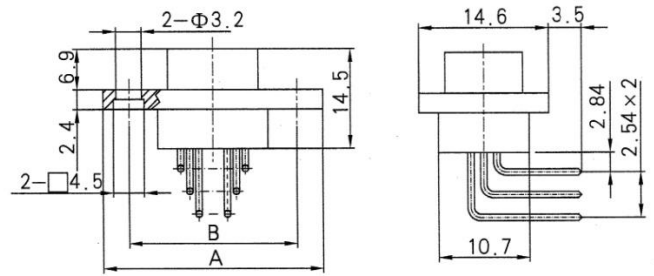
J29A-9、15、25、37TJW



J29A-9、15、25、37ZKW



J29A-51、66TJW

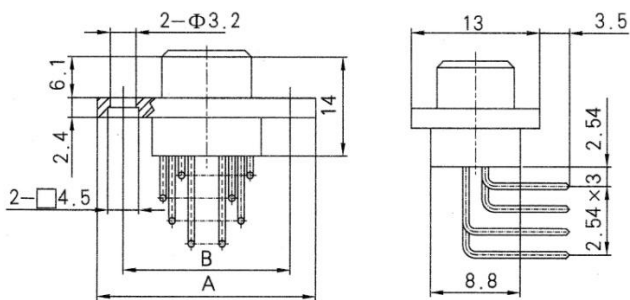


J29A-51、66ZKW

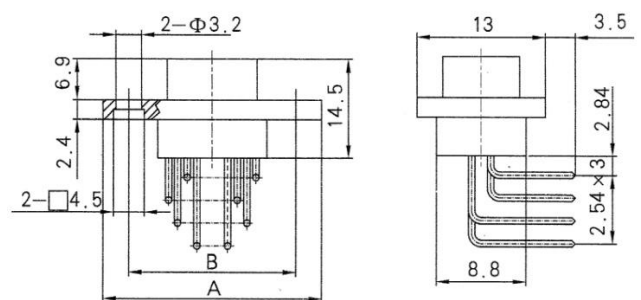
Part number	A	B	Part number	A	B
J29A-9TJW	26.1	20.1	J29A-9ZKW	26.1	20.1
J29A-15TJW	31.6	25.6	J29A-15ZKW	31.6	25.6
J29A-25TJW	42.0	36.0	J29A-25ZKW	42.0	36.0
J29A-37TJW	53.5	47.5	J29A-37ZKW	53.5	47.5
J29A-51TJW	52.0	46.0	J29A-51ZKW	52.0	46.0
J29A-66TJW	61.5	55.5	J29A-66ZKW	61.5	55.5

Plug (90° elbow PCB 1.91×2.54)

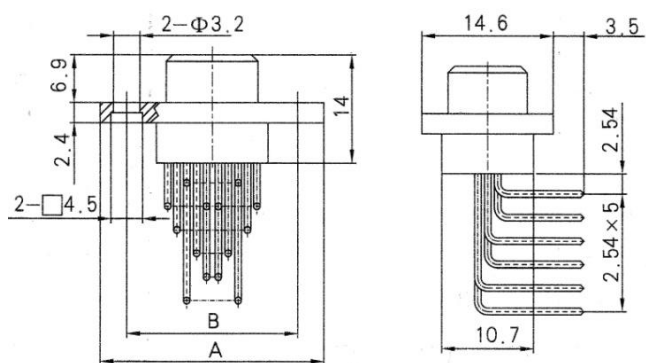
Receptacle



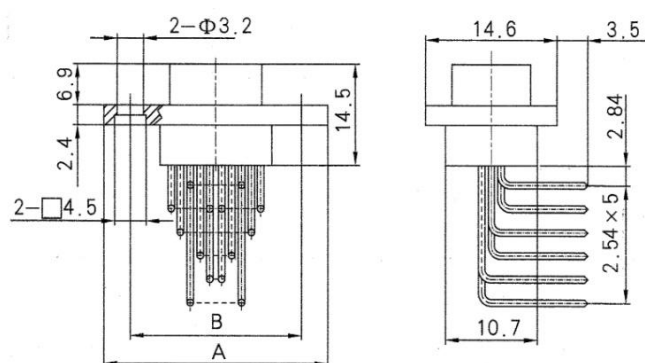
J29A-9、15、25、37TJW I



J29A-9、15、25、37ZKW I



J29A-51、66TJW I

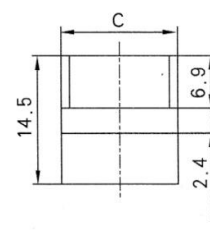
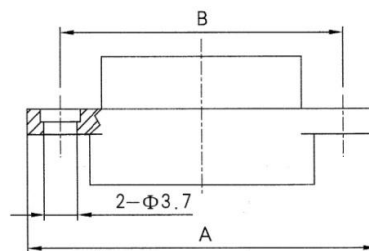
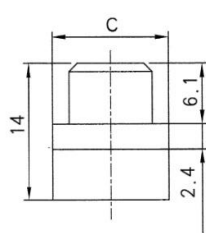
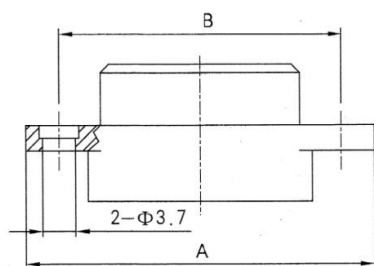


J29A-51、66ZKW I

Part number	A	B	Part number	A	B
J29A-9TJWI	26.1	20.1	J29A-9ZKWI	26.1	20.1
J29A-15TJWI	31.6	25.6	J29A-15ZKWI	31.6	25.6
J29A-25TJWI	42.0	36.0	J29A-25ZKWI	42.0	36.0
J29A-37TJWI	53.5	47.5	J29A-37ZKWI	53.5	47.5
J29A-51TJWI	52.0	46.0	J29A-51ZKWI	52.0	46.0
J29A-66TJWI	61.5	55.5	J29A-66ZKWI	61.5	55.5

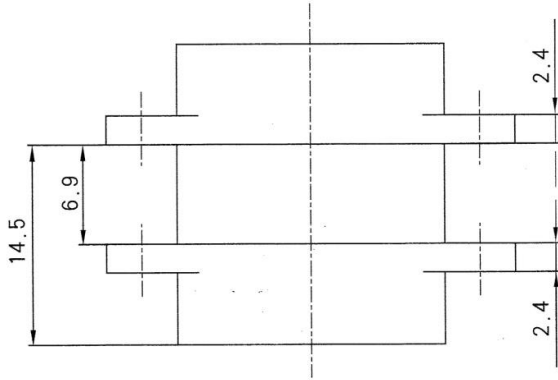
Plug (crimp, A)

Receptacle

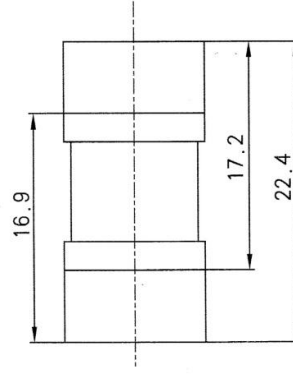


Part number	A	B	C	Part number	A	B	C
J29A-9TJ-A	26.1	20.1	8.8	J29A-9ZK-A	26.1	20.1	8.8
J29A-15TJ-A	31.6	25.6	8.8	J29A-15ZK-A	31.6	25.6	8.8
J29A-25TJ-A	42.0	36.0	8.8	J29A-25ZK-A	42.0	36.0	8.8
J29A-37TJ-A	53.5	47.5	8.8	J29A-37ZK-A	53.5	47.5	8.8
J29A-51TJ-A	52.0	46.0	10.7	J29A-51ZK-A	52.0	46.0	10.7
J29A-66TJ-A	61.5	55.5	10.7	J29A-66ZK-A	61.5	55.5	10.7

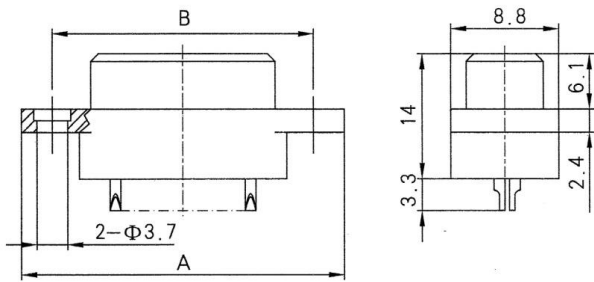
Size after mounting



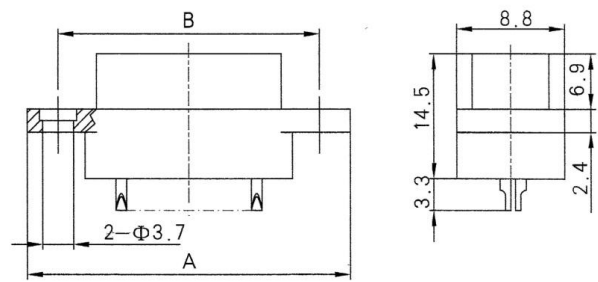
Plug (solder, A)



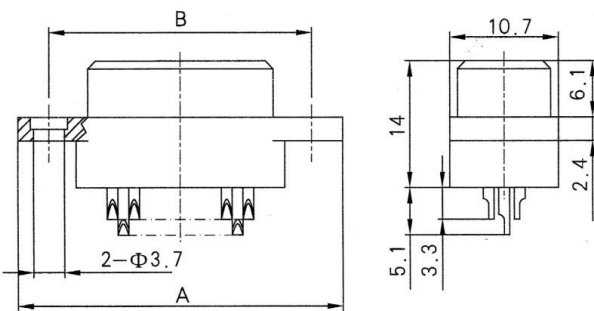
Receptacle



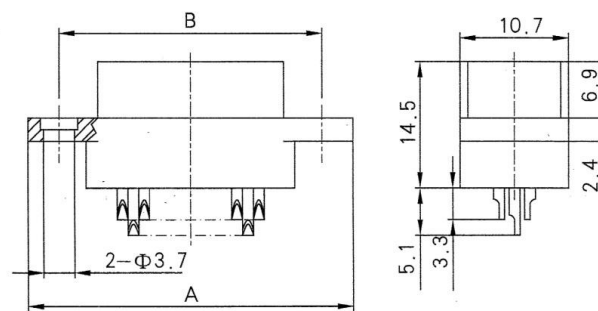
J29A-9, 15, 25, 37TJH-A



J29A-9, 15, 25, 37ZKH-A



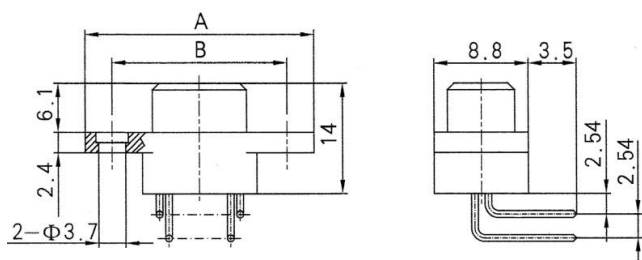
J29A-51, 66TJH-A



J29A-51, 66ZKH-A

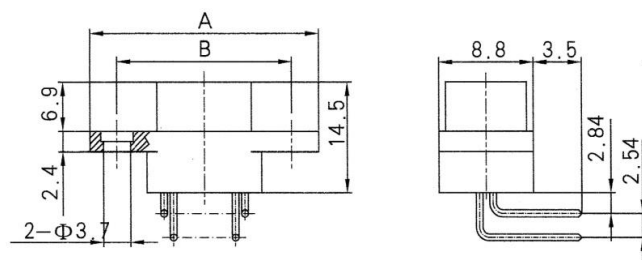
Part number	A	B	Part number	A	B
J29A-9TJH-A	26.1	20.1	J29A-9ZKH-A	26.1	20.1
J29A-15TJH-A	31.6	25.6	J29A-15ZKH-A	31.6	25.6
J29A-25TJH-A	42.0	36.0	J29A-25ZKH-A	42.0	36.0
J29A-37TJH-A	53.5	47.5	J29A-37ZKH-A	53.5	47.5
J29A-51TJH-A	52.0	46.0	J29A-51ZKH-A	52.0	46.0
J29A-66TJH-A	61.5	55.5	J29A-66ZKH-A	61.5	55.5

Plug (90° elbow PCB, A, 1.91×2.54)

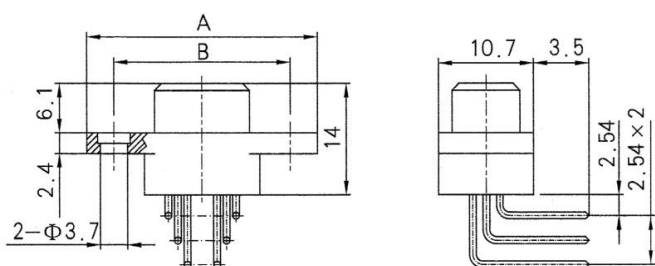


J29A-9, 15, 25, 37TJW-A

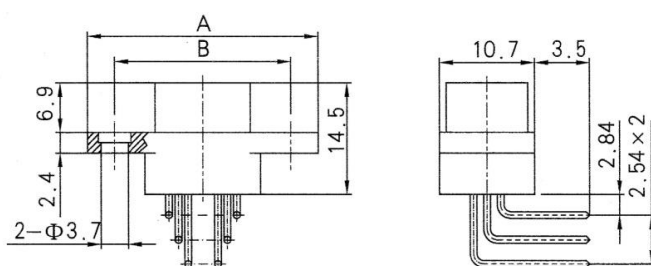
Receptacle



J29A-9, 15, 25, 37ZKW-A



J29A-51, 66TJW-A

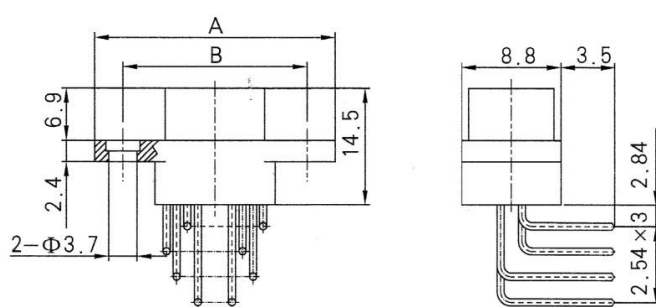
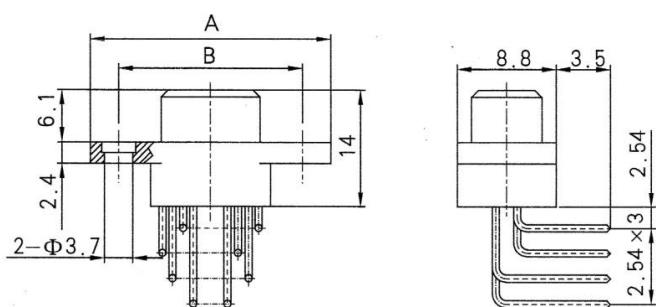


J29A-51, 66ZKW-A

Part number	A	B	Part number	A	B
J29A-9TJW-A	26.1	20.1	J29A-9ZKW-A	26.1	20.1
J29A-15TJW-A	31.6	25.6	J29A-15ZKW-A	31.6	25.6
J29A-25TJW-A	42.0	36.0	J29A-25ZKW-A	42.0	36.0
J29A-37TJW-A	53.5	47.5	J29A-37ZKW-A	53.5	47.5
J29A-51TJW-A	52.0	46.0	J29A-51ZKW-A	52.0	46.0
J29A-66TJW-A	61.5	55.5	J29A-66ZKW-A	61.5	55.5

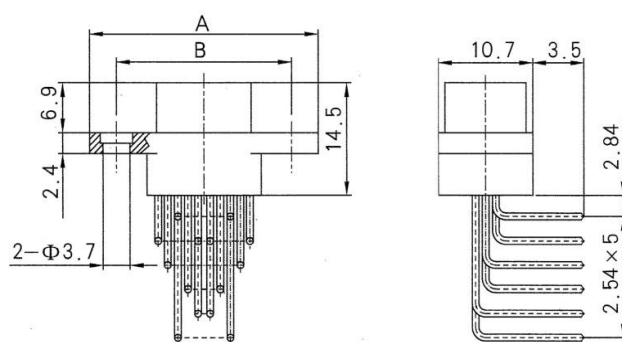
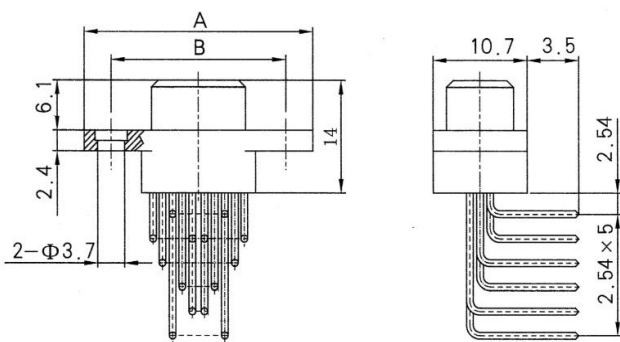
Plug (90° elbow PCB, A, 3.82×2.54)

Receptacle



J29A-9, 15, 25, 37TJW I -A

J29A-9, 15, 25, 37ZKW I -A



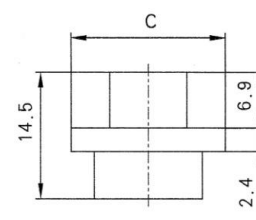
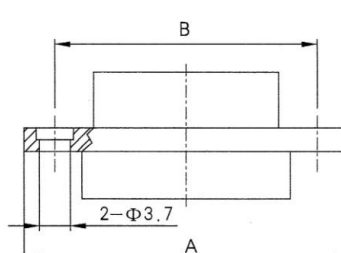
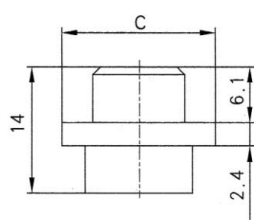
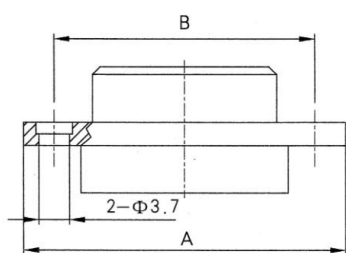
J29A-51, 66TJW I -A

J29A-51, 66ZKW I -A

Part number	A	B	Part number	A	B
J29A-9TJWI-A	26.1	20.1	J29A-9ZKWI-A	26.1	20.1
J29A-15TJWI-A	31.6	25.6	J29A-15ZKWI-A	31.6	25.6
J29A-25TJWI-A	42.0	36.0	J29A-25ZKWI-A	42.0	36.0
J29A-37TJWI-A	53.5	47.5	J29A-37ZKWI-A	53.5	47.5
J29A-51TJWI-A	52.0	46.0	J29A-51ZKWI-A	52.0	46.0
J29A-66TJWI-A	61.5	55.5	J29A-66ZKWI-A	61.5	55.5

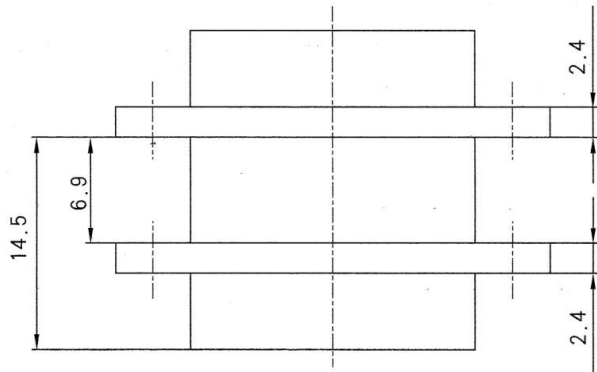
Plug (crimp, A1)

Receptacle

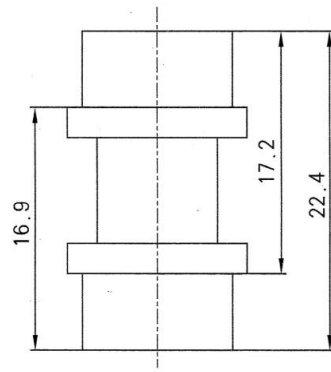


Product	A	B	C	Product	A	B	C
J29A-9TJ-A1	26.1	20.1	11.0	J29A-9ZK-A1	26.1	20.1	11.0
J29A-15TJ-A1	31.6	25.6	11.0	J29A-15ZK-A1	31.6	25.6	11.0
J29A-25TJ-A1	42.0	36.0	11.0	J29A-25ZK-A1	42.0	36.0	11.0
J29A-37TJ-A1	53.5	47.5	11.0	J29A-37ZK-A1	53.5	47.5	11.0
J29A-51TJ-A1	52.0	46.0	12.6	J29A-51ZK-A1	52.0	46.0	12.6
J29A-66TJ-A1	61.5	55.5	12.6	J29A-66ZK-A1	61.5	55.5	12.6

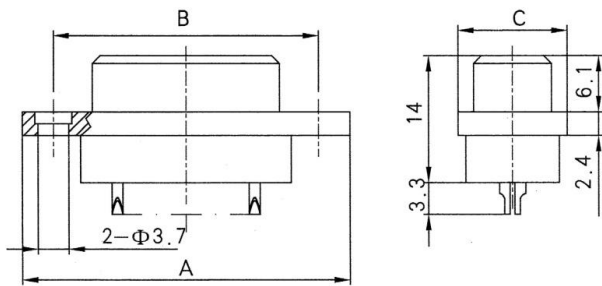
Size after mounting



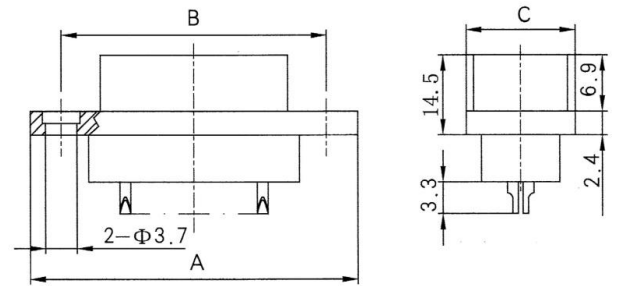
Plug (solder, A1)



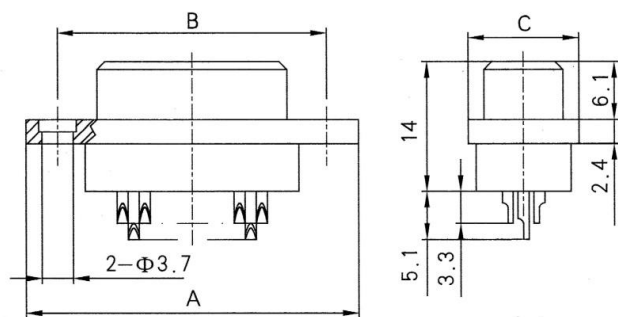
Receptacle



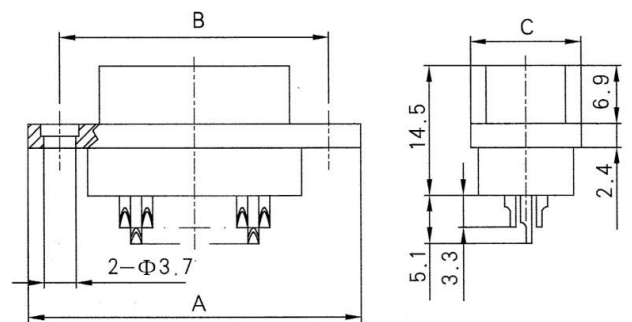
J29A-25, 37TJH-A1



J29A-25, 37ZKH-A1



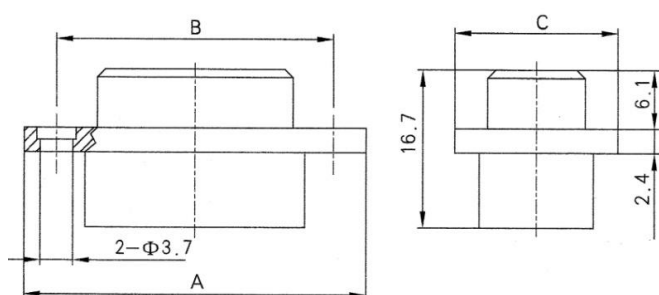
J29A-51TJH-A1



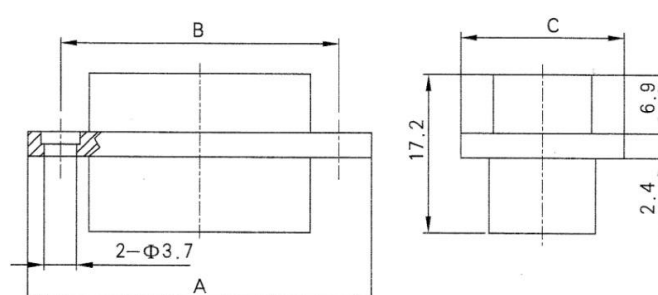
J29A-51ZKH-A1

Part number	A	B	C	Part number	A	B	C
J29A-9TJH-A1	26.1	20.1	11.0	J29A-9ZKH-A1	26.1	20.1	11.0
J29A-15TJH-A1	31.6	25.6	11.0	J29A-15ZKH-A1	31.6	25.6	11.0
J29A-25TJH-A1	42.0	36.0	11.0	J29A-25ZKH-A1	42.0	36.0	11.0
J29A-37TJH-A1	53.5	47.5	11.0	J29A-37ZKH-A1	53.5	47.5	11.0
J29A-51TJH-A1	52.0	46.0	12.6	J29A-51ZKH-A1	52.0	46.0	12.6
J29A-66TJH-A1	61.5	55.5	12.6	J29A-66ZKH-A1	61.5	55.5	12.6

Plug (J29M, crimp)

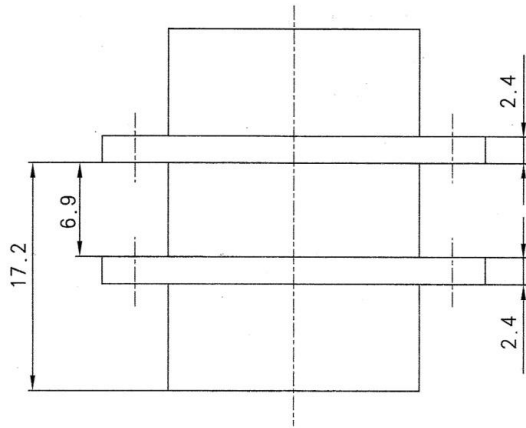


Receptacle

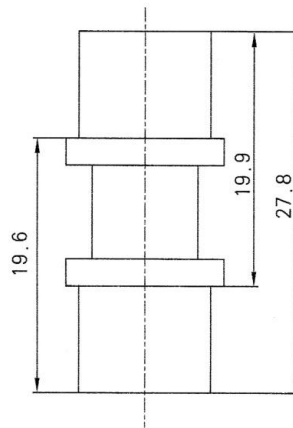


Part number	A	B	C	Part number	A	B	C
J29M-9TJ	26.1	20.1	13.0	J29M-9ZK	26.1	20.1	13.0
J29M-15TJ	31.6	25.6	13.0	J29M-15ZK	31.6	25.6	13.0
J29M-25TJ	42.0	36.0	13.0	J29M-25ZK	42.0	36.0	13.0
J29M-37TJ	53.5	47.5	13.0	J29M-37ZK	53.5	47.5	13.0
J29M-51TJ	52.0	46.0	14.6	J29M-51ZK	52.0	46.0	14.6
J29M-66TJ	61.5	55.5	14.6	J29M-66ZK	61.5	55.5	14.6

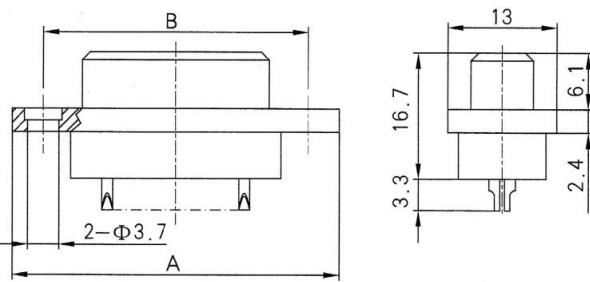
Size after mounting



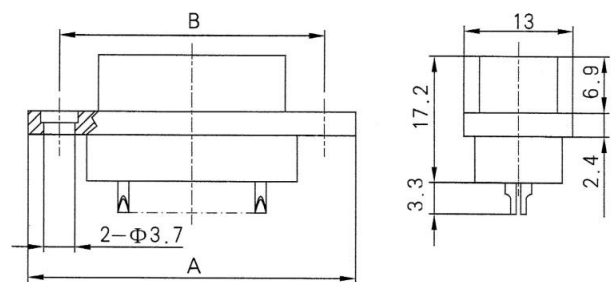
Plug (J29M, solder)



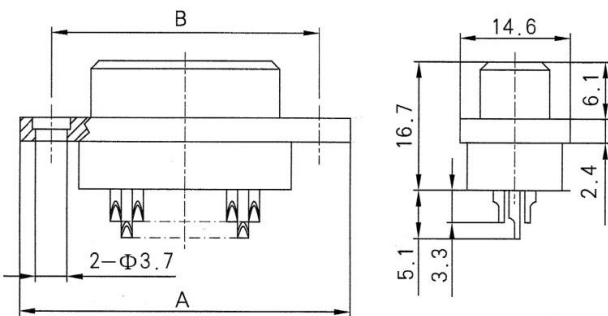
Receptacle



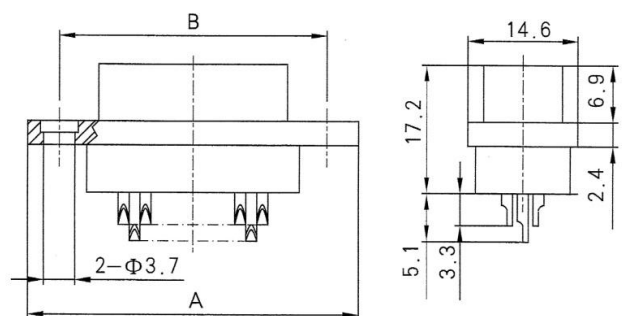
J29M-9, 15, 25, 37TJH



J29M-9, 15, 25, 37ZKH



J29M-51, 66TJH

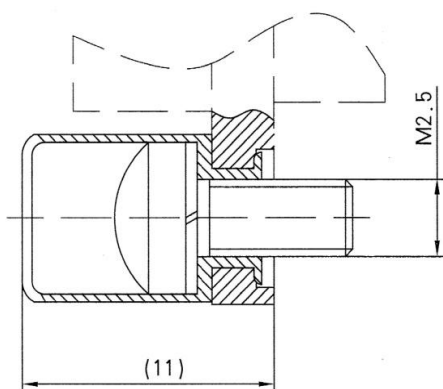


J29M-51, 66ZKH

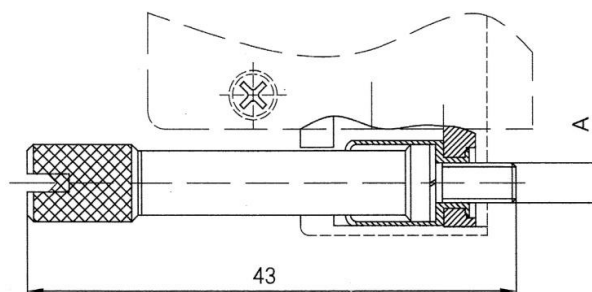
Part number	A	B	Part number	A	B
J29M-9TJH	26.1	20.1	J29M-9ZKH	26.1	20.1
J29M-15TJH	31.6	25.6	J29M-15ZKH	31.6	25.6
J29M-25TJH	42.0	36.0	J29M-25ZKH	42.0	36.0
J29M-37TJH	53.5	47.5	J29M-37ZKH	53.5	47.5
J29M-51TJH	52.0	46.0	J29M-51ZKH	52.0	46.0
J29M-66TJH	61.5	55.5	J29M-66ZKH	61.5	55.5

Locking components

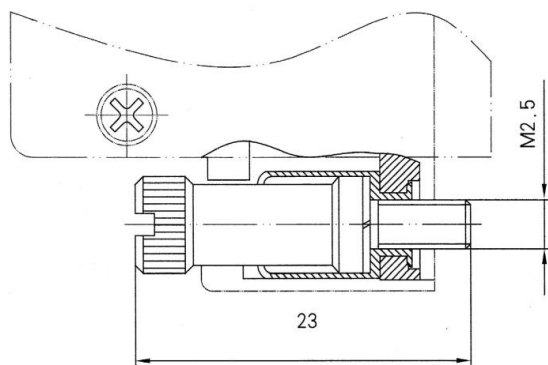
Type L



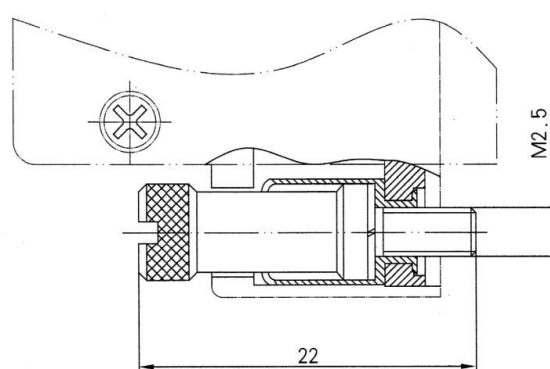
Type L₁, L₂



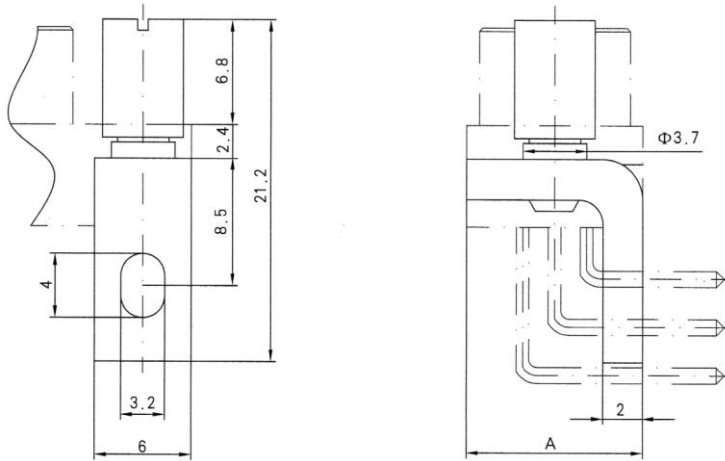
Type L₃



Type L₄

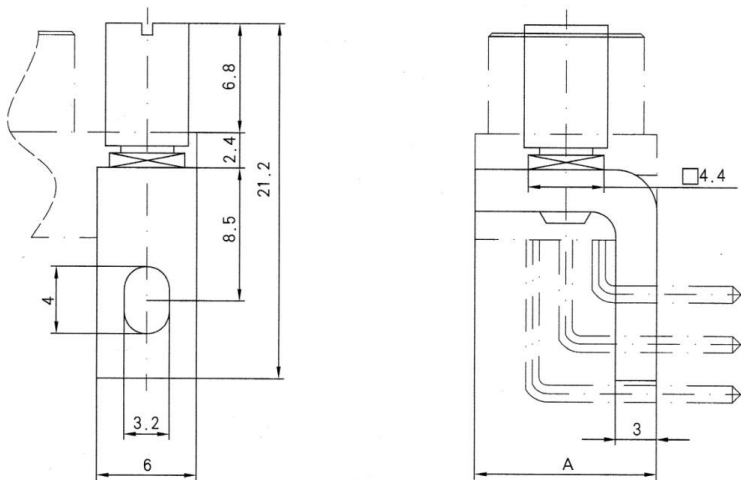


Type P



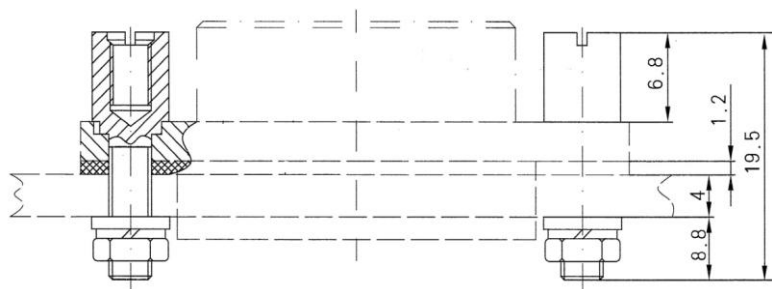
Contact number	A
9 ~ 37	8.8
51 ~ 66	10.7

Type P₁₅

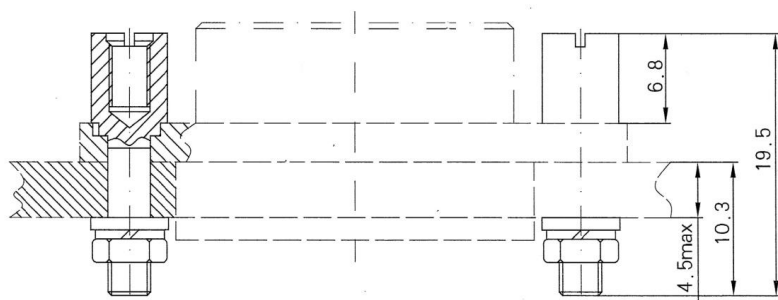


Contact number	A
9 ~ 37	13.0
51 ~ 66	14.6

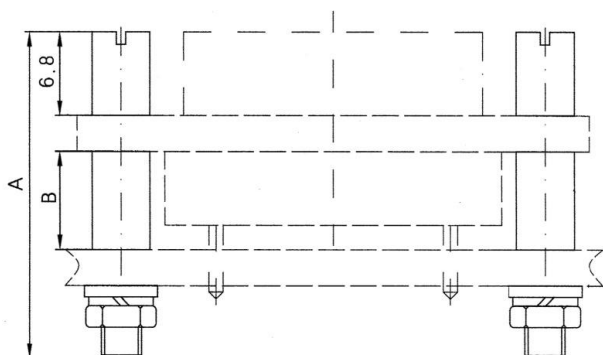
Type P₅



Type P₈

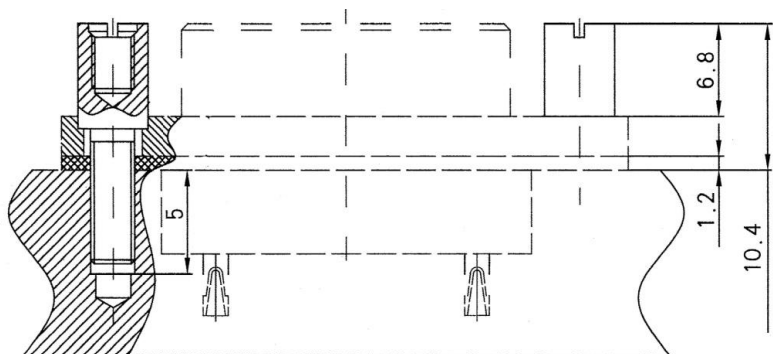


Type P₉, P₁₁

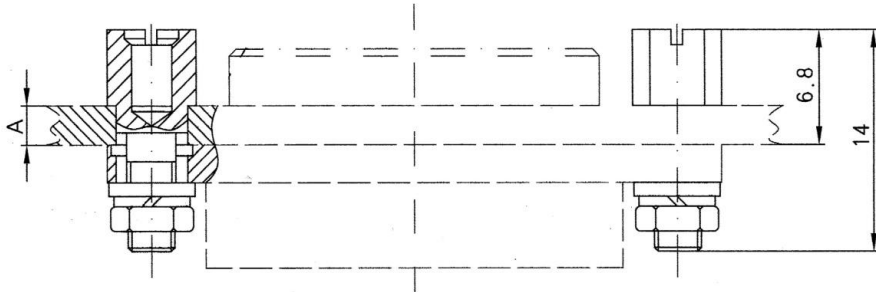


No.	A	B
P ₉	27	8.0
P ₁₁	24	7.2

Type P₁₂



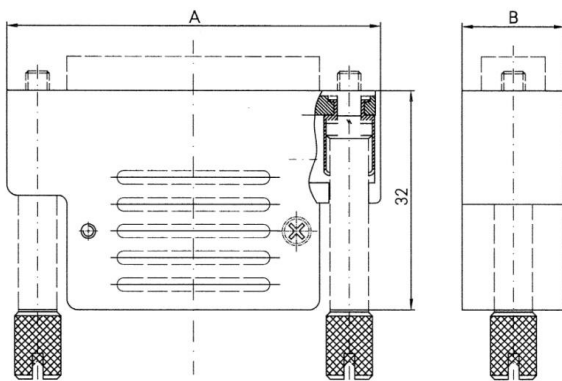
Type P₁₄, P₁₆



No.	A
P ₁₄	2.0 ~ 2.5
P ₁₆	1.0 ~ 1.5

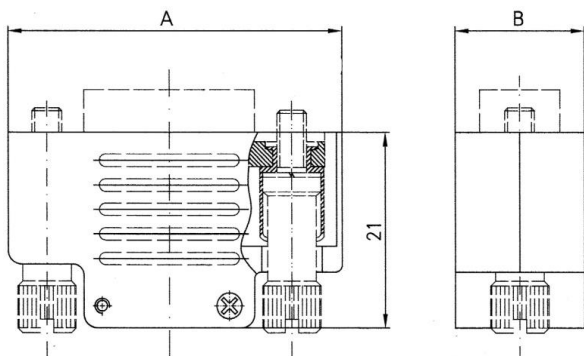
Accessory and tail cover

Type D



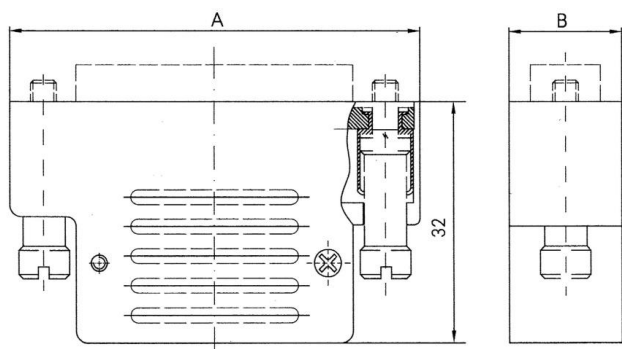
Matched Products	A	B	Matched Products	A	B
J29A-9	27.8	15	J29A-31	49.6	15.0
J29A-15	33.3	15	J29A-37	55.3	15.0
J29A-21	38.9	15	J29A-51	53.8	16.6
J29A-25	43.8	15	J29A-66	63.3	16.6

Type D₁



Matched Products	A	B	Matched Products	A	B
J29A-9	27.8	15	J29A-31	49.6	15.0
J29A-15	33.3	15	J29A-37	55.3	15.0
J29A-21	38.9	15	J29A-51	53.8	16.6
J29A-25	43.8	15	J29A-66TJ	63.3	16.6

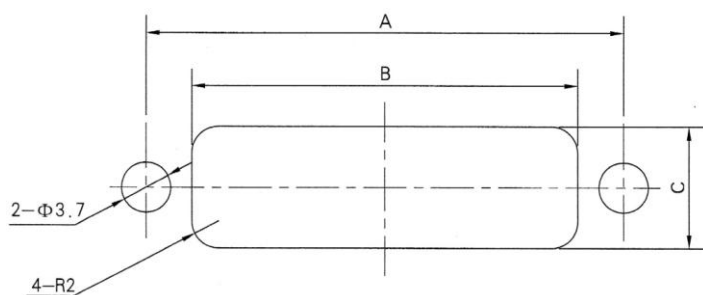
Type D₂



Matched Products	A	B
J29A-25	43.8	13.0
J29A-37	55.3	13.0
J29A-51	53.8	14.6

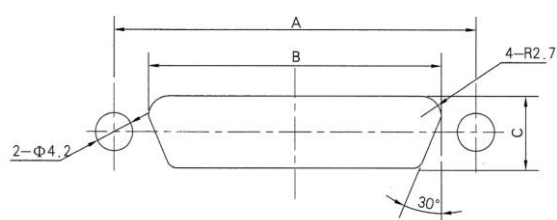
J29A mounting hole

Before panel

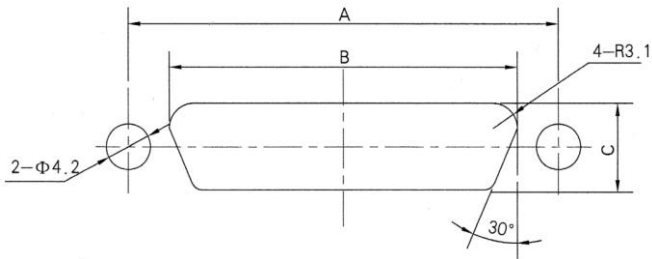


Size	A	B	C
J29A-9	20.1	14.4	9.0
J29A-15	25.6	19.9	9.0
J29A-21	37.3	25.6	9.0
J29A-25	36.0	30.1	9.0
J29A-31	41.8	35.9	9.0
J29A-37	47.5	41.6	9.0
J29A-51	46.0	40.1	10.9
J29A-66	55.5	49.6	10.9

Behind panel



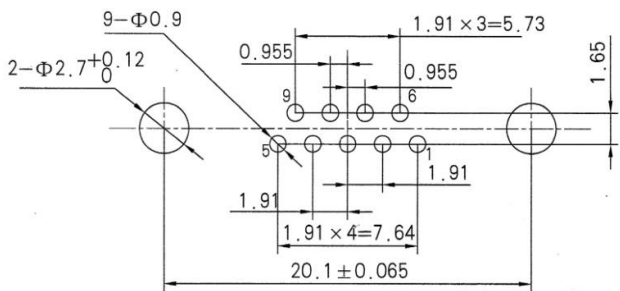
Size	A	B	C
J29A-9	20.1	13.3	7
J29A-15	25.6	18.8	7
J29A-21	37.3	24.5	7



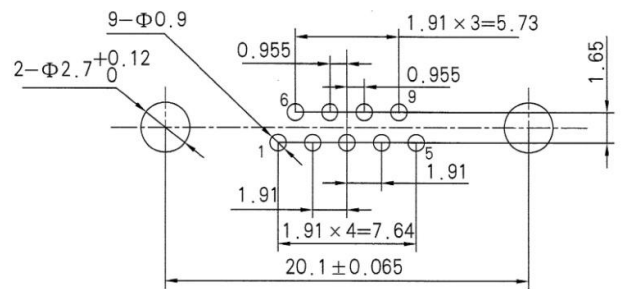
Size	A	B	C
J29A-25	36.0	30.2	7.9
J29A-31	41.8	35.0	7.9
J29A-37	47.5	40.7	7.9
J29A-51	46.0	39.2	9.6
J29A-66	55.5	48.7	9.6

J29A hole dimension of PCB/J29A-N

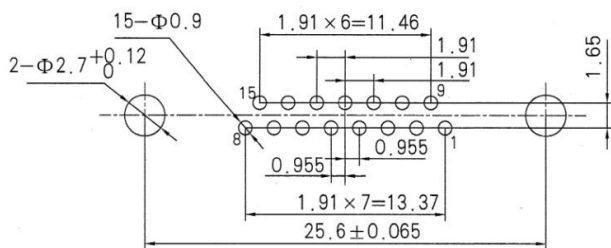
J29A-9TJN



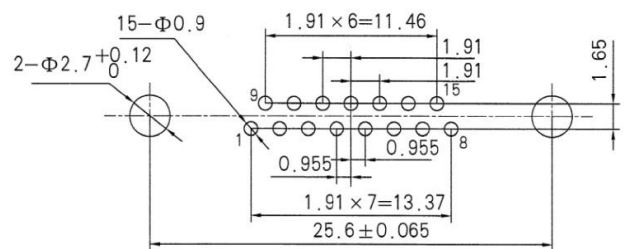
J29A-9ZKN



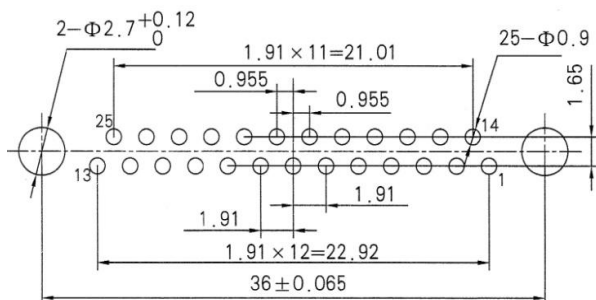
J29A-15TJN



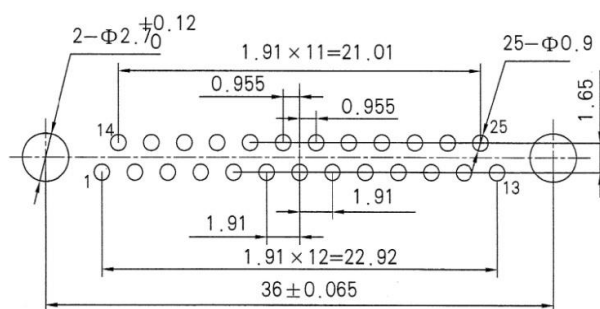
J29A-15ZKN



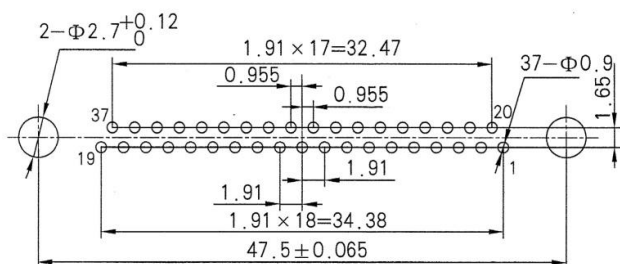
J29A-25TJN



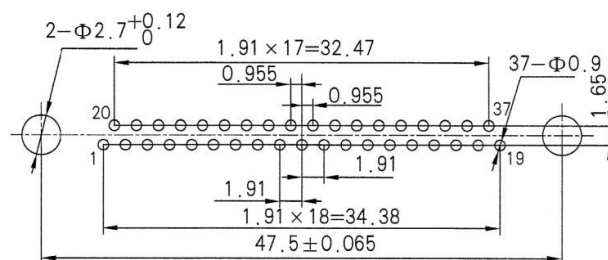
J29A-25ZKN



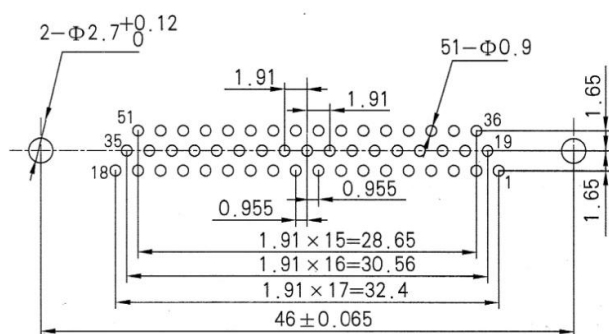
J29A-37TJN



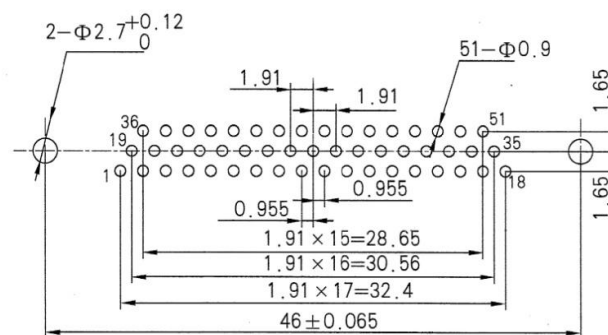
J29A-37ZKN



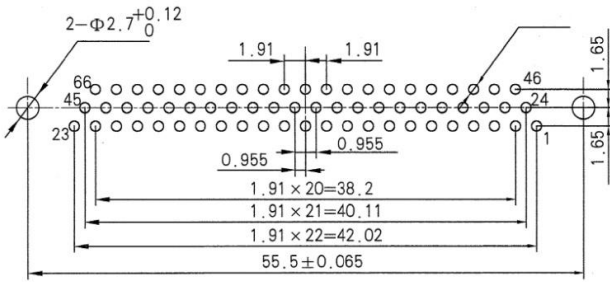
J29A-51TJN



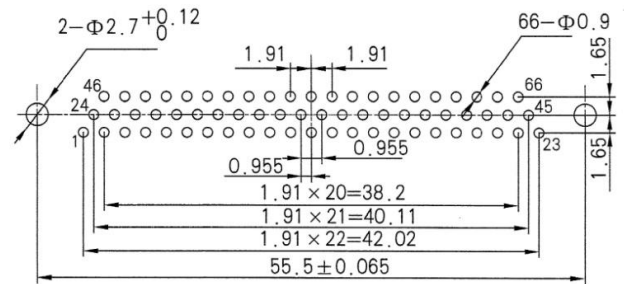
J29A-51ZKN



J29A-66TJN

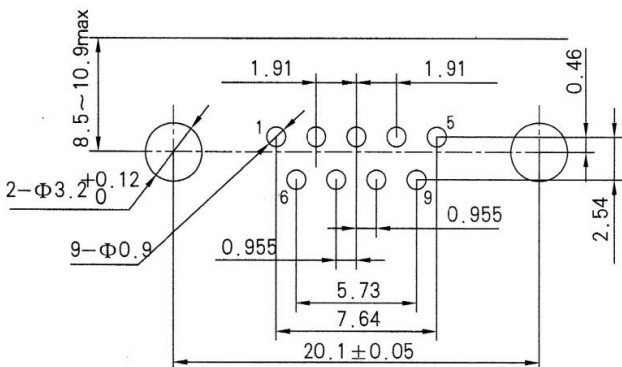


J29A-66ZKN

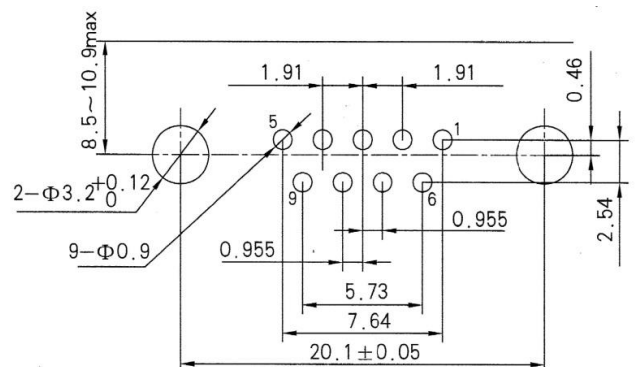


J29A hole dimension of PCB/J29A-W

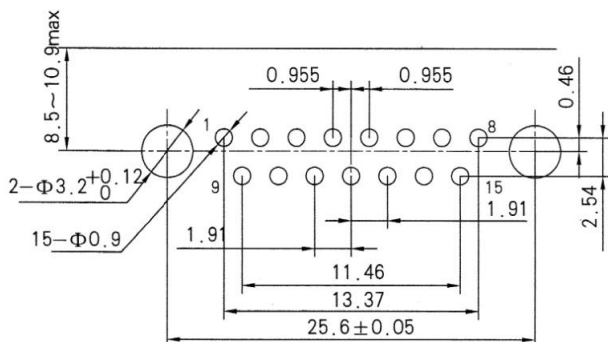
J29A-9TJW, J29A-9TJW-A



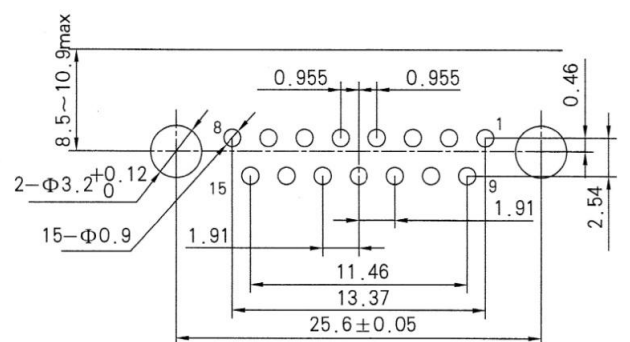
J29A-9ZKW, J29A-9ZKW-A



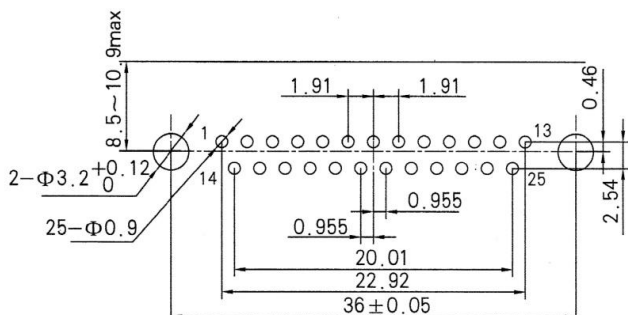
J29A-15TJW, J29A-15TJW-A



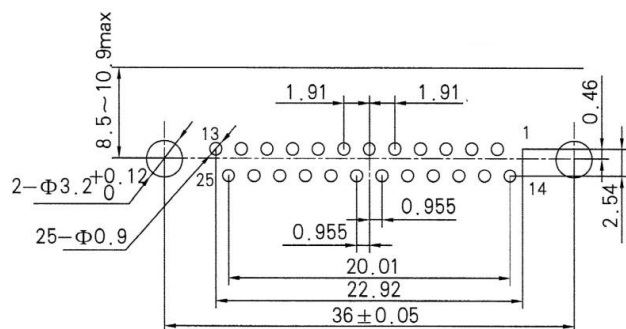
J29A-15ZKW, J29A-15ZKW-A



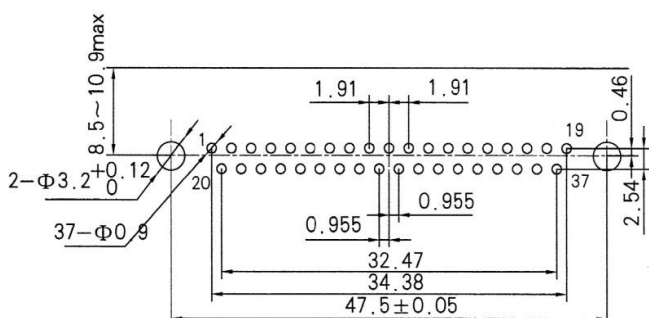
J29A-25TJW, J29A-25TJW-A



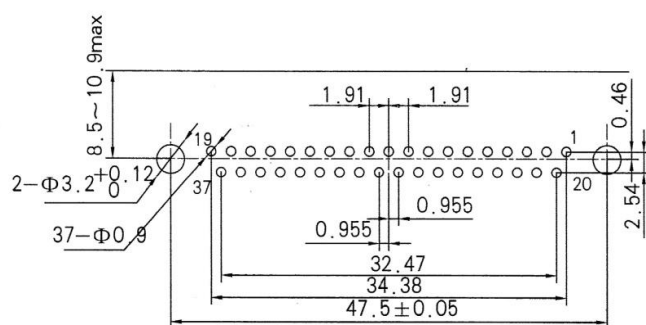
J29A-25ZKW, J29A-25ZKW-A



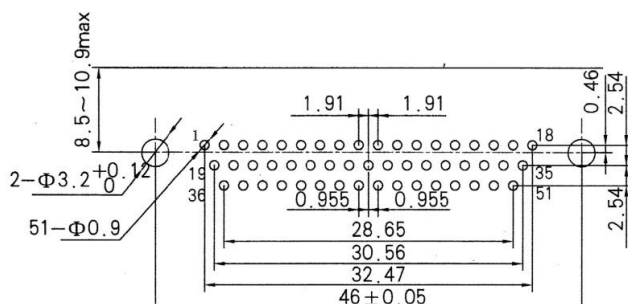
J29A-37TJW, J29A-37TJW-A



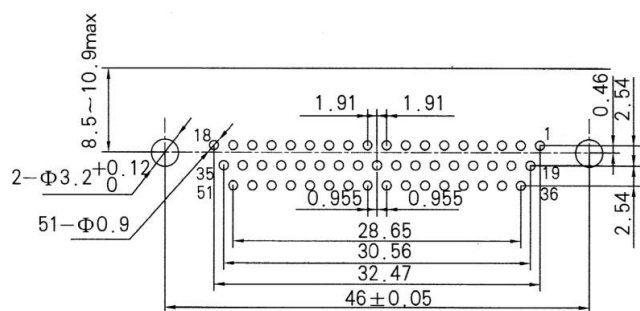
J29A-37ZKW, J29A-37ZKW-A



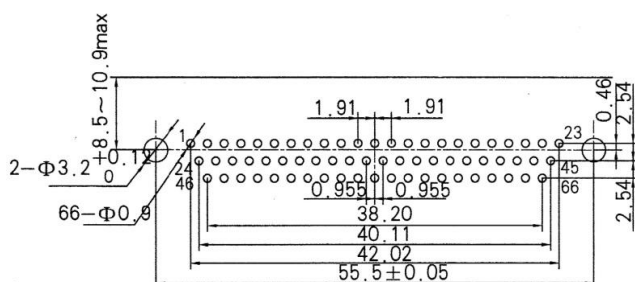
J29A-51TJW, J29A-51TJW-A



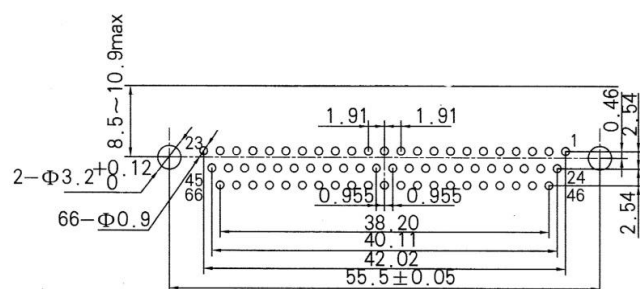
J29A-51ZKW, J29A-51ZKW-A



J29A-66TJW, J29A-66TJW-A

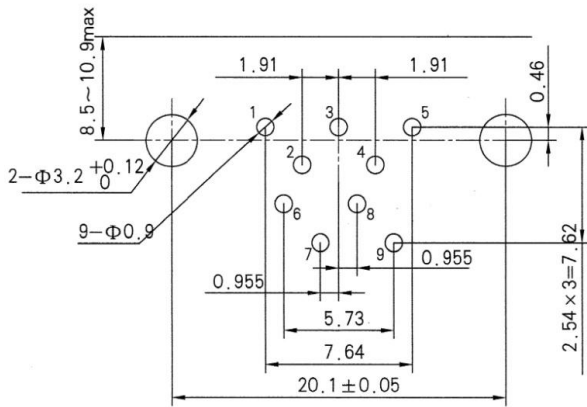


J29A-66ZKW, J29A-66ZKW-A

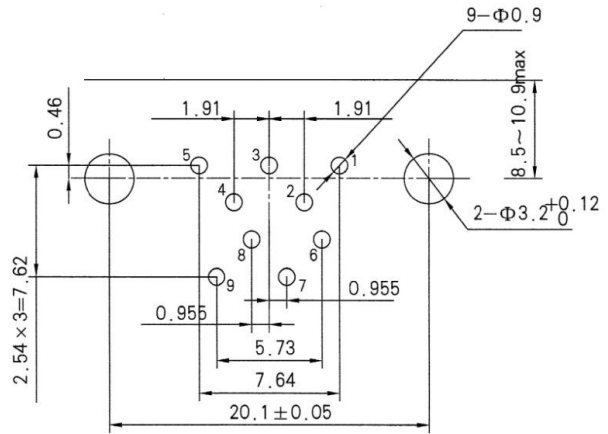


J29A hole dimension of PCB/J29A-WI

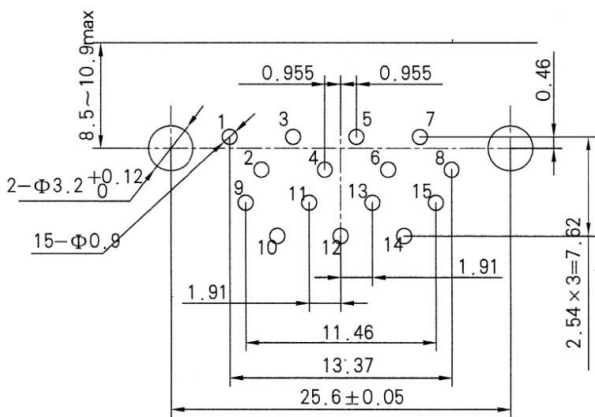
J29A-9TJWI, J29A-9TJWI-A



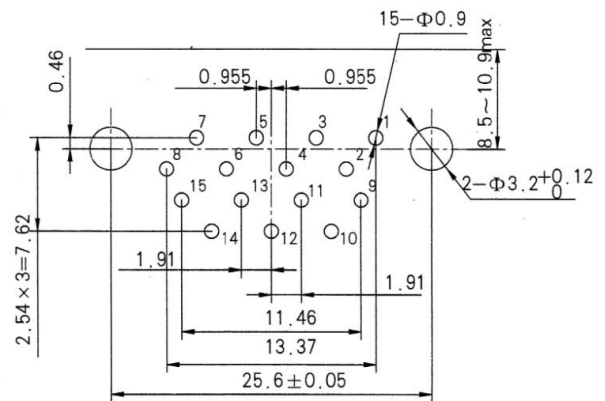
J29A-9ZKWI, J29A-9ZKWI-A



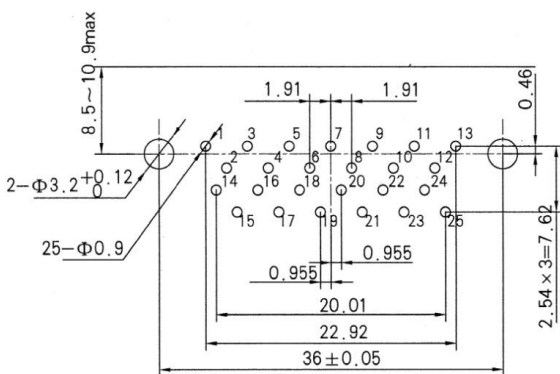
J29A-15TJWI, J29A-15TJWI-A



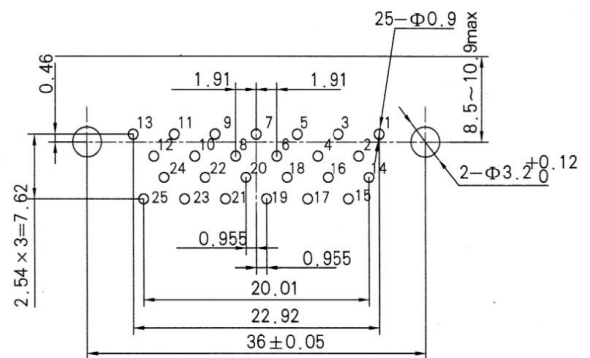
J29A-15ZKWI, J29A-15ZKWI-A



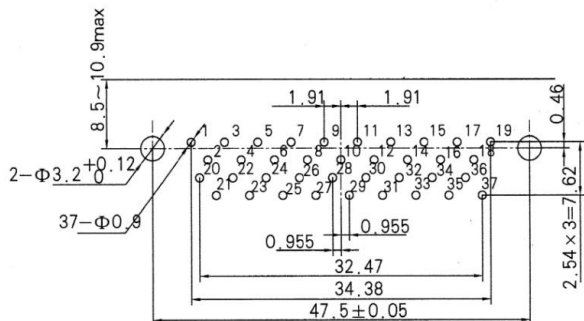
J29A-25TJWI, J29A-25TJWI-A



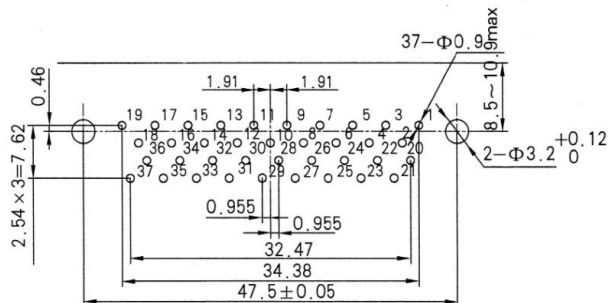
J29A-25ZKWI, J29A-25ZKWI-A



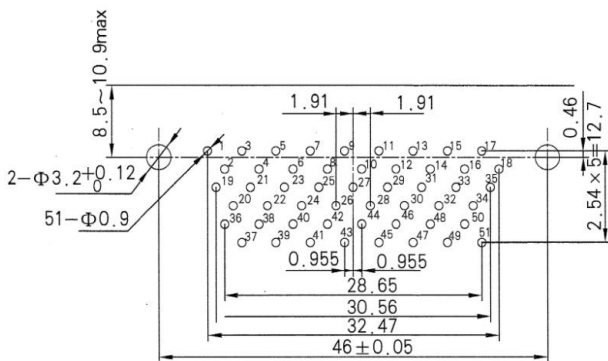
J29A-37TJWI, J29A-37TJWI-A



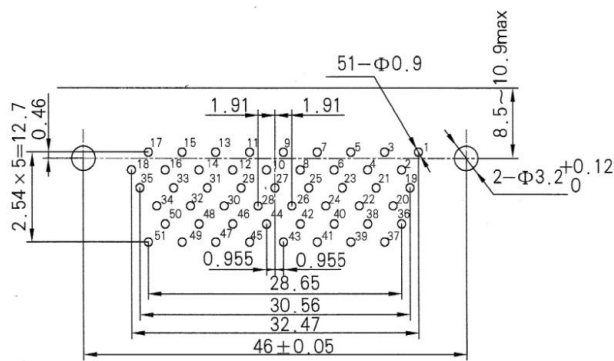
J29A-37ZKWI, J29A-37ZKWI-A



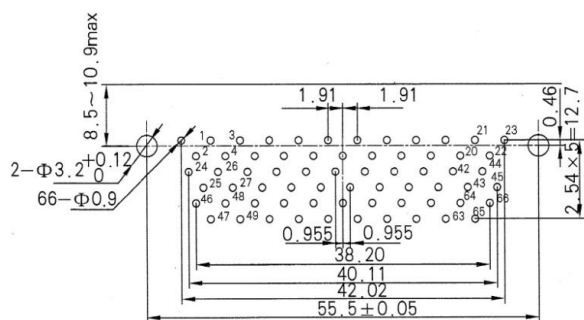
J29A-51TJWI, J29A-51TJWI-A



J29A-51ZKWI, J29A-51ZKWI-A



J29A-66TJWI, J29A-66TJWI-A



J29A-66ZKWI, J29A-66ZKWI-A

